

INSTALLATION AND OPERATING MANUAL

✓VIDALUX

**Ceiling Speaker
Range**

**INSTALLERS PLEASE NOTE, THESE
INSTRUCTIONS ARE TO BE LEFT WITH
THE CUSTOMER**

Technical Support: 01524 489939

Warranty Claims Or Delivery Damage: www.vidalux.co.uk

Important safety instructions

Before installing the unit, please read and follow the instructions provided in the Installation Manual included in this kit.

Before operating the unit, please read and follow the instructions provided in this User Manual thoroughly and save it for future reference.

WARNING - To reduce the risk of fire or electric shock :install in accordance with the manufacturer's instructions



- do not attempt to disassemble this unit
- do not block any ventilation opening
- do not install near any heat sources such as radiators, stoves or other equipment that produce heat.

You are cautioned that any changes or modifications not expressly mentioned in this manual could affect the normal operation of this equipment.

This product has been designed and tested to provide reasonable protection against harmful interference in residential installation. However there is no guarantee interference will not affect a particular installation. In these cases, attempt to distance the affecting items or turn the item off

The entire risk of the installation, use, results and performance are borne by you.

When a socket plug, or a device connector is used as a mechanism to disconnect from the electrical mains, the mechanism must be easily accessible at all times. Protect the power cord from being walked on or pinched particularly at plugs and the point where they exit from the apparatus.

Necessary Installation Tools

- Drill
- 180mm hole cutting drill bit (preferred)
- 1' Flat Bit (use if drilling through studs)
- Gloves
- Phillips Screwdriver
- Wire Strippers
- Plasterboard Saw (optional)
- Pencil

Designing For Even Sound Distribution

When designing ceiling speaker systems in any environment, an important goal is uniform sound coverage throughout the room. The goal should be to distribute the sound evenly in a way that will not interfere with conversation and general day to day activities. In rooms where listening to music isn't a primary objective (i.e back ground music) it is best to place the speakers around the perimeter of the room. It is especially important not to mount speakers above dining tables or seating areas so that people are not sitting directly under a speaker.

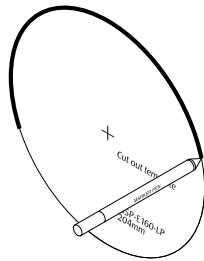
In locations where the primary objective is to listen to music the speakers can be placed evenly left and right of the room's main seating position as mentioned above.

If you need further help with the placement of your ceiling speakers please call or email us.

Installation Instructions

! Be careful when handling the speaker. It is okay to hold using the tweeter pole but do not touch the drive unit as it could result in damage.

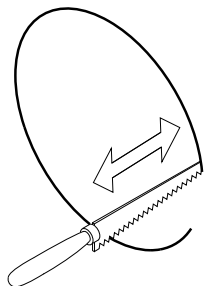
1.



Draw a 180mm circle on the ceiling / wall, where you wish to install the speaker.

! Ensure there are no joists in the way.

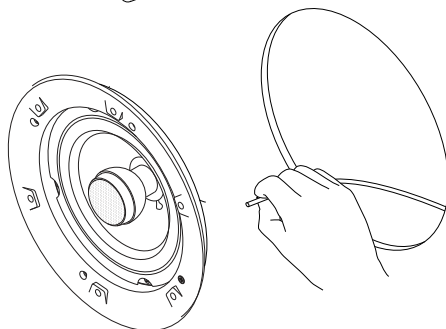
2.



Cut out a hole using a suitable saw or hole cutting tool.

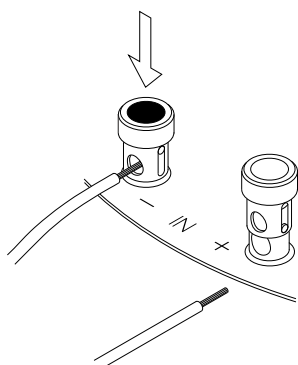
! Be careful not to cut through wiring or pipes.

3.



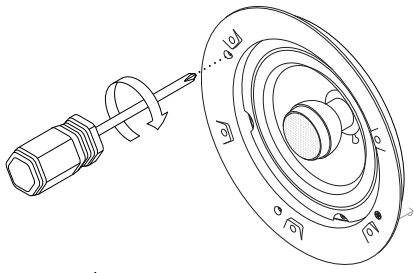
Now pull through the speaker cable and connect it to the speaker binding posts located on the rear of the speaker.

To do this, press down on each binding post and feed the bare cable wire into the hole. Releasing the binding post will lock the wire in place.

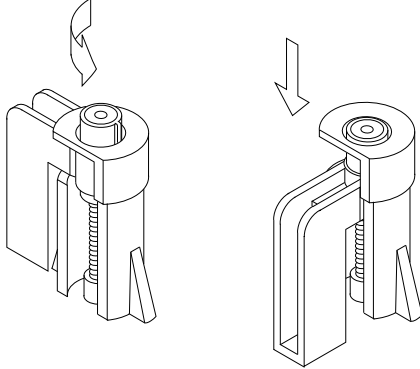


! Make sure you connect the speaker cable to the corresponding + / - outputs from each speaker.

4.

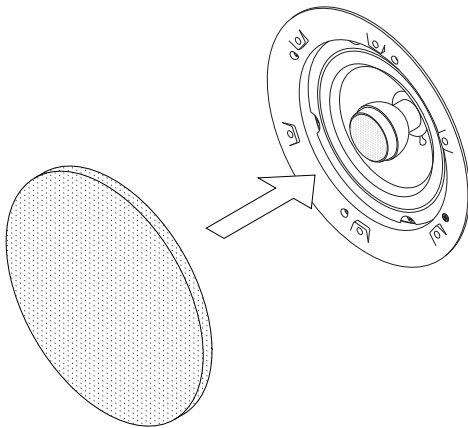


Place each speaker into the hole, with the black plastic dog legs on the rear of the speaker tucked in, and tighten the screws with a Phillips-head screwdriver. When you tighten the legs will drop into place



The dog legs will turn and lock the speaker into the ceiling / wall. The fixing should be firm but do not overtighten as this can strip the thread and cause difficulties for speaker removal as well as damaging any plasterboard

5.



When you are happy the system is working, apply the speaker grille to the speaker. The magnets will hold the grille in place.

Connecting To Bluetooth

Once installed the connection to the speakers will depend on your device, however you would do so in the default method used by this device. The speakers will show up on your devices list as 'BT Speaker'

**FOR TECHNICAL
ASSISTANCE**

PLEASE CALL

01524 489939