



## Installation Instructions

**Inspect bath carefully and report any damage or faults before installation. No claims can be entered in to after installation.**

**Protect the bath throughout installation process.**

**Installation must be carried out by suitably qualified tradesman in accordance with the instructions.**

Tel 01524 489939  
[www.vidalux.co.uk](http://www.vidalux.co.uk)

The quality of this product is in your hands. Please read all the instructions before starting the installation.

**No installation should take place until all items have been deemed cosmetically acceptable. Once installation commences all products then enter into their governing warranty periods and no returns can be accepted, by commencing with the installation you are accepting the goods cosmetic state with all 'workings' being covered by warranty. (contact us for more information before installing if required)**

# VIDALUX CLEAR & BRIGHT WATER SOFTENER

Guaranteed to get rid of limescale

Live in a hard water area?? Limescale in the kettle and on bathroom fixtures?? Do you want to adversely effect you health with bad drinking water??

If you have a shower and any feature becomes blocked with limescale and stops working THIS IS NOT COVERED BY THE WARRANTY, as in reality it is not the products fault, it's the poor quality water it has been subjected to

GOOD NEWS - Designed in partnership with one of the UK's largest and most trusted water softener manufacturers, this sleek, easy fit model is GUARANTEED to work or your money back!! Remove all the limescale in a 1-4 bedroom home and benefit from the following

Better tasting drinking water - Easy to install - Guaranteed to work or your money back  
No plumbing or chemicals – Cost as little as £2.00 a year to run and the improved condition of the water pipes will reduce your heating bills - Made in the U.K - Trialled and tested Over 10 years | Used by professionals



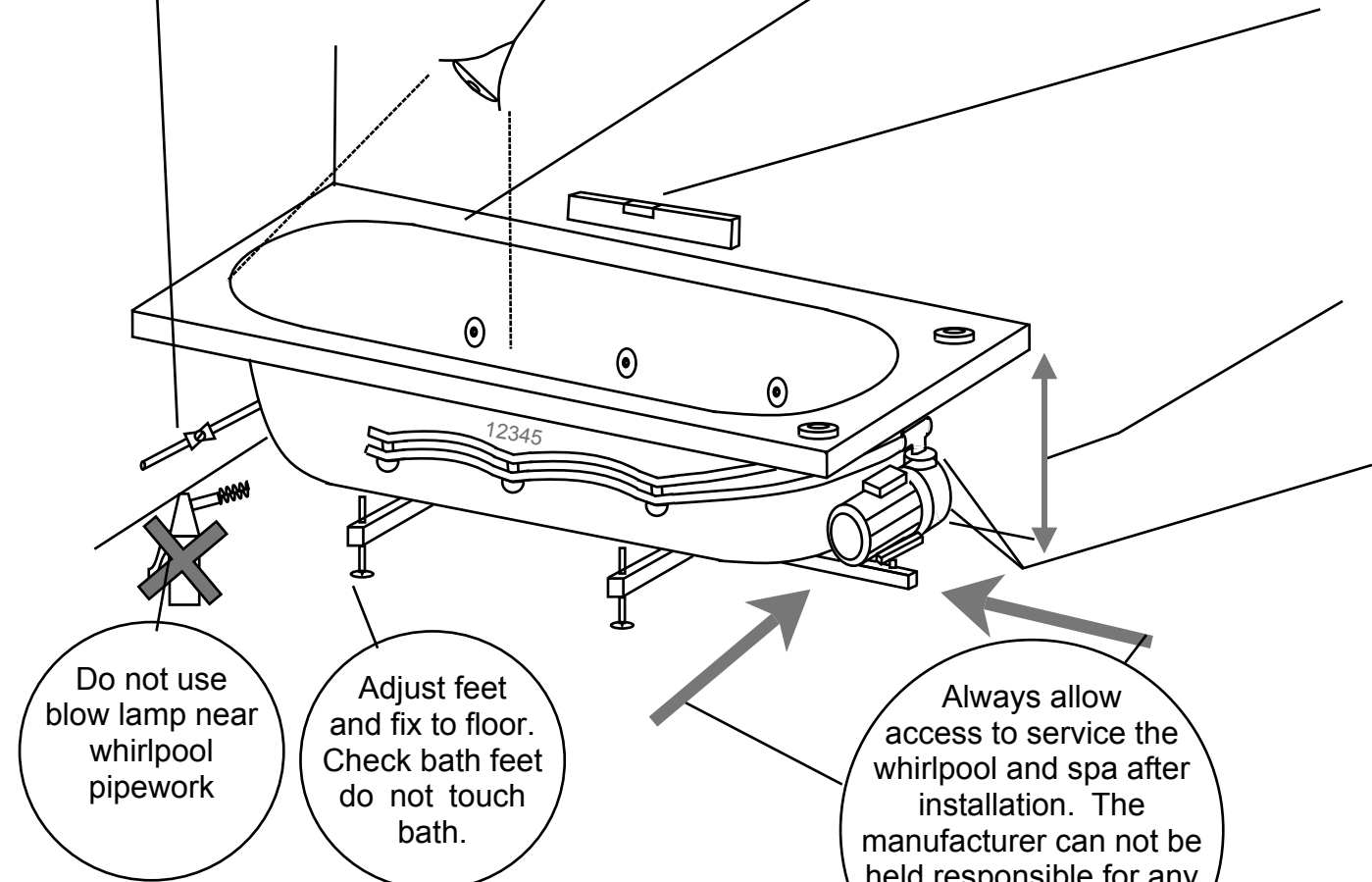
# Plumbers Instructions

## Installation Guide

Fit Stop valves in to the water supply to allow water to be turned off when necessary

Inspect bath and report any damage **before** installation. Protect the bath throughout installation process.

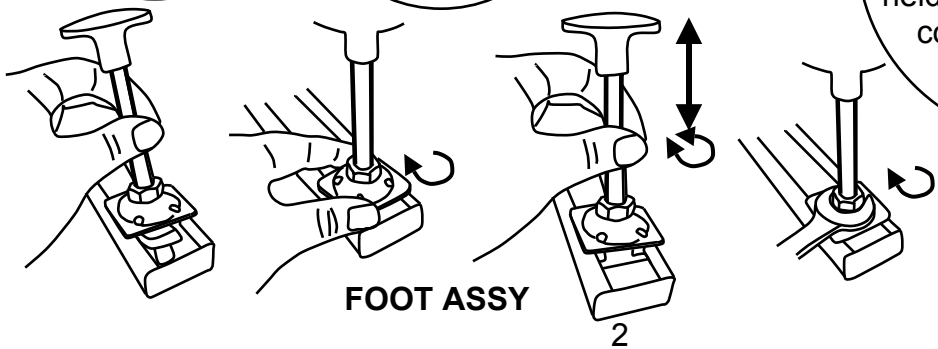
All baths are un-drilled for taps. Before drilling ensure that the taps will not interfere with the whirlpool pipework.



Do not use blow lamp near whirlpool pipework

Adjust feet and fix to floor. Check bath feet do not touch bath.

Always allow access to service the whirlpool and spa after installation. The manufacturer can not be held responsible for any consequential loss making access.



FOOT ASSY

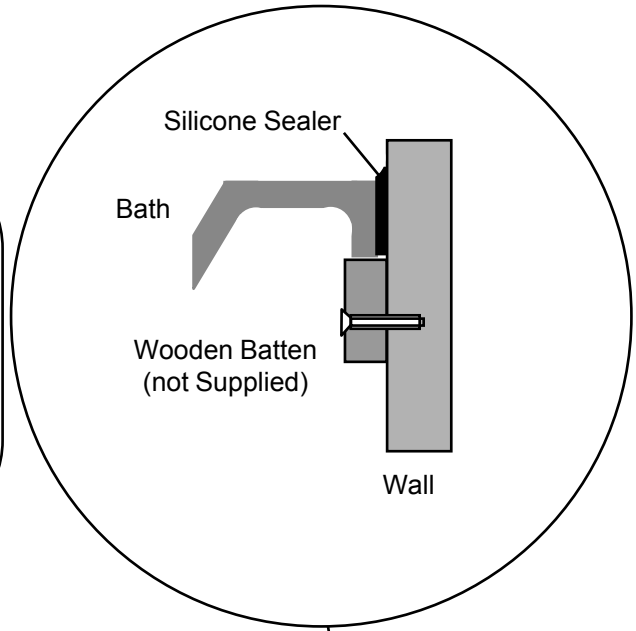
**DO NOT** Lift or move the bath with any part of the pipework, pump or fittings.

### Commissioning Test

After installing the bath ensure the bath is clean. Fill with hot water (40 °C) to a minimum of 75mm (3") above the jets. Start the whirlpool and run for 10 minutes, stop the whirlpool and after a further 10 minutes. Check for leaks throughout the test.

Ensure bath is level and set to the correct height for the panel.

**Check Union nuts are hand tight only before placing bath in position and nothing has been moved or damaged in transit**



Ensure the floor is flat and level. Position and level the bath, setting the height to suit the panel, if necessary try panel in place. Mark the feet and screw holes on the floor. Scribe a line on the wall to the underside of the rim. Remove the bath and fit a soft wood batten to this line to act as additional support for the rim. Apply a liberal amount of silicone sealer to the outer rim of the bath which is adjacent to the wall. Reposition the bath ensuring that it is pushed firmly back to the wall and that the feet are in their original position. Secure feet to floor and allow silicone to cure.

Fit the bath in such a manner that will allow its removal without the necessity to remove tiles.

**SMOOTHSPA BATHS MUST HAVE THE CENTRE FOOT FITTED & ADJUSTED TO THE FLOOR . FAILURE TO DO SO WILL INVALIDATE THE GUARANTEE**

Take a note of the bath number and leave the instructions for the house holder.

Bath Number- \_\_\_\_\_

# Electricians Instructions

## Supply Requirements ALL Systems

Mains Supply 230 V, 50 Hz,  
13 amp fused through an R.C.D. 230v  
30Mamp, 30Msec.  
Cable 2.5 Twin & Earth.  
Mains connections made under the bath  
should be made using an IP55 joint box.

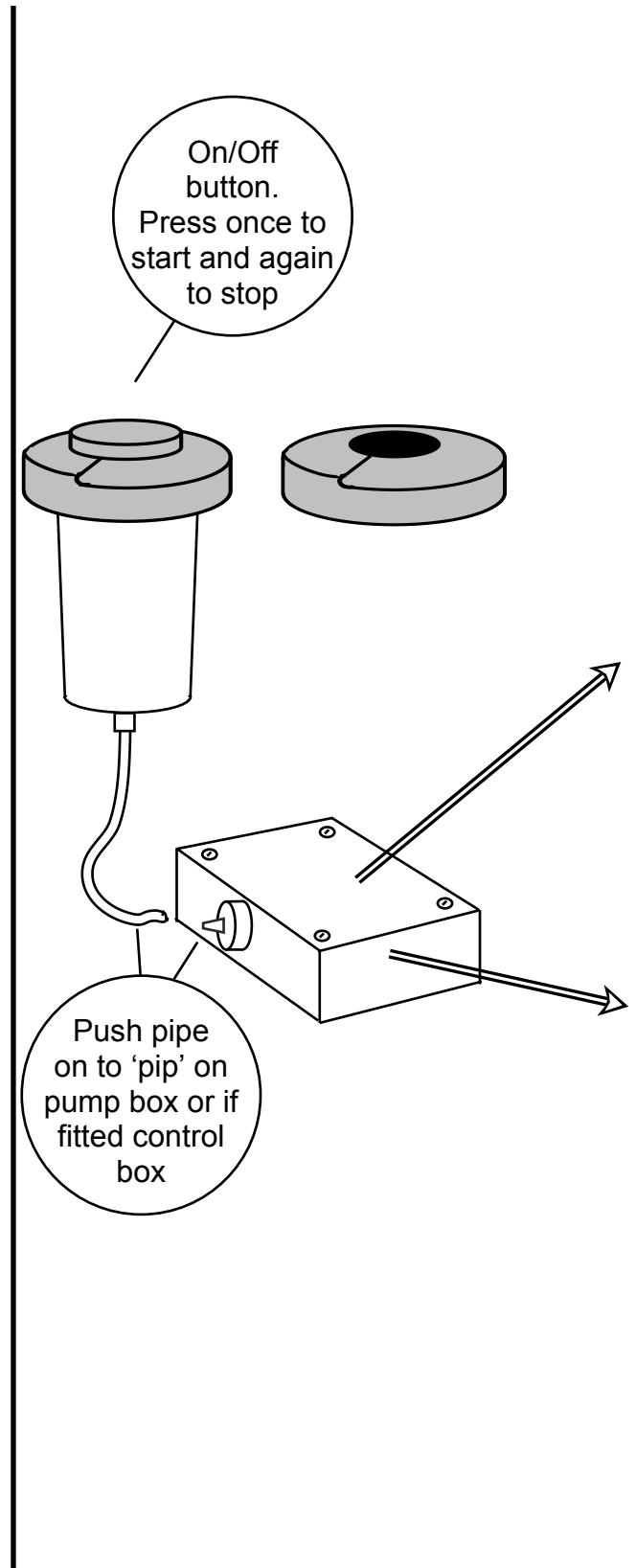
## Pump & Blower Specification

Standard Pump  
230v 50 Hz 580Watt 3.2amp running.  
Highpower Pump  
230v 50 Hz 850Watt 5.8amp running.  
Blower  
230v 50Hz 600Watt 3.5amp running.

## R.C.D.

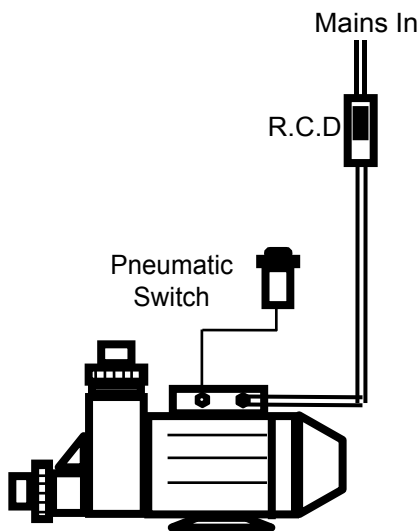
An RCD 30mA, 30 mS, must be fitted to this bath.

1. The R.C.D. must NOT be fitted under the bath.
2. Fit the R.C.D. in an accessible position where it can be tested easily (at least once a month), and when the bath is not in use it can be used to isolate the supply.
3. It must not be possible to switch on the R.C.D. whilst stood in the bath.
4. The installation must comply with all electrical regulations and be installed by a qualified electrician.

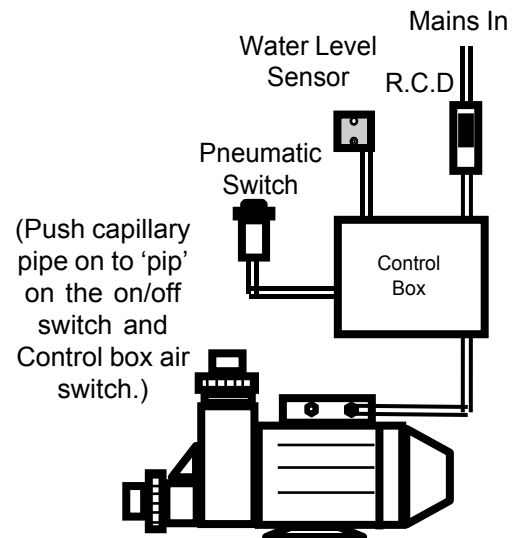


# Manual Control, Original whirlpool systems, and Original spa.

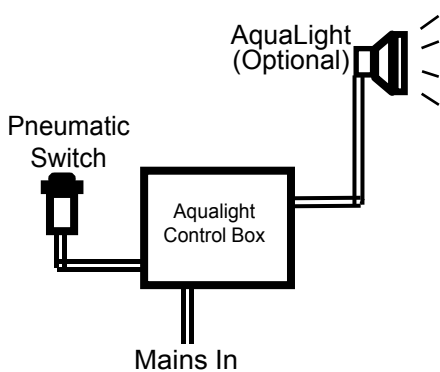
**Original Whirlpool System .**



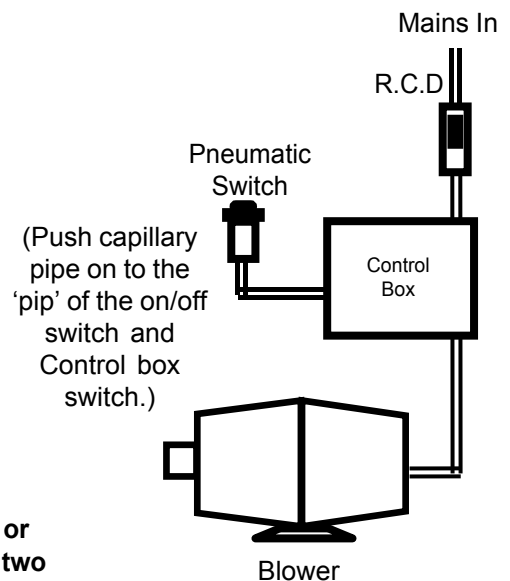
**Original Whirlpool System with optional Pump Immobiliser Control Box.**



**Aqualight Control Box. (Manual Systems)**



**Original Spa System**



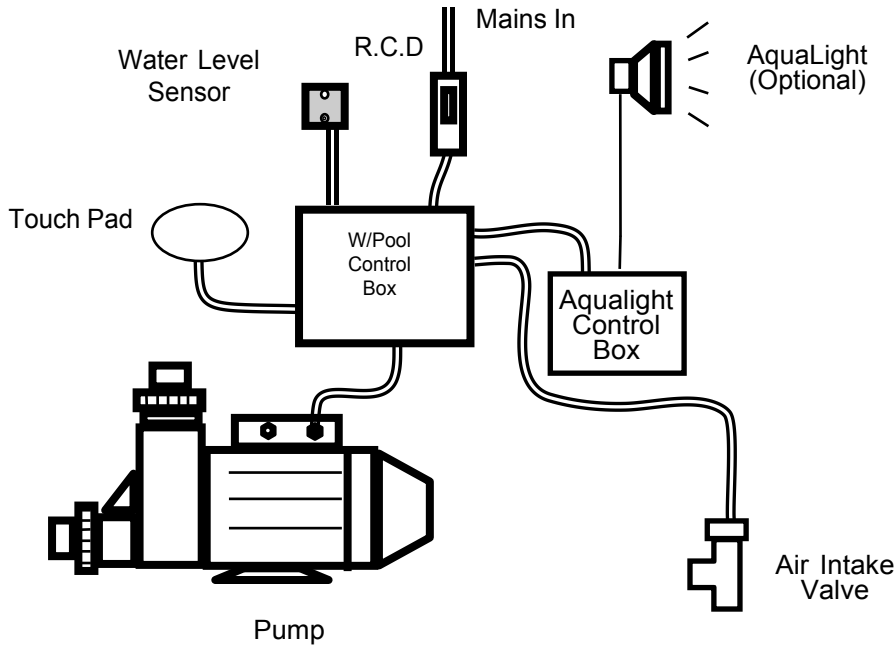
**Note. When an underwater light or combination system is supplied two independent systems are fitted to one bath. Each will require a power supply.**

# Electricians Instructions

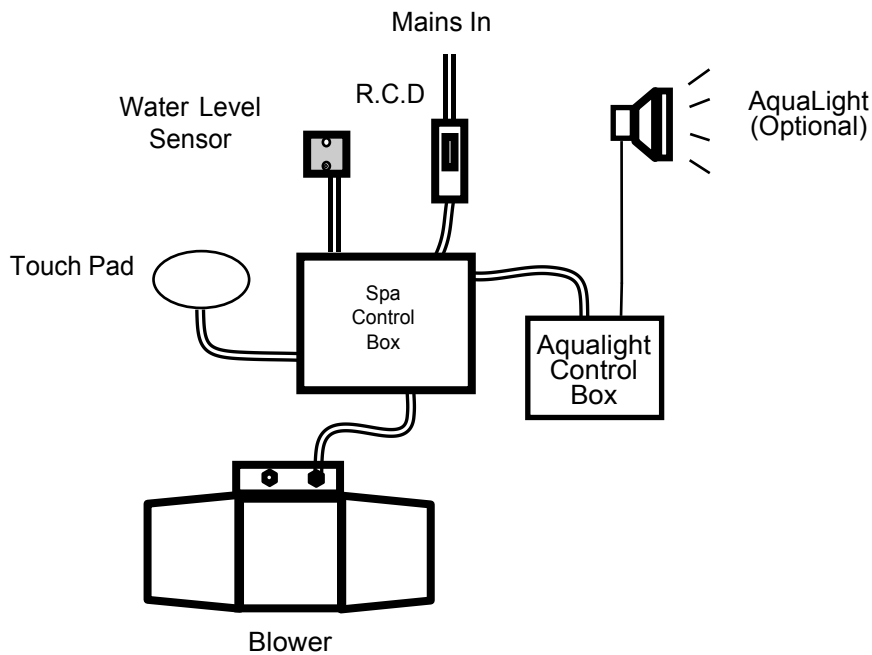
## Electronic Control, Vogue whirlpool systems, and Vogue spa.

Note. Also see supply requirements ALL systems.

### Vogue Whirlpool System

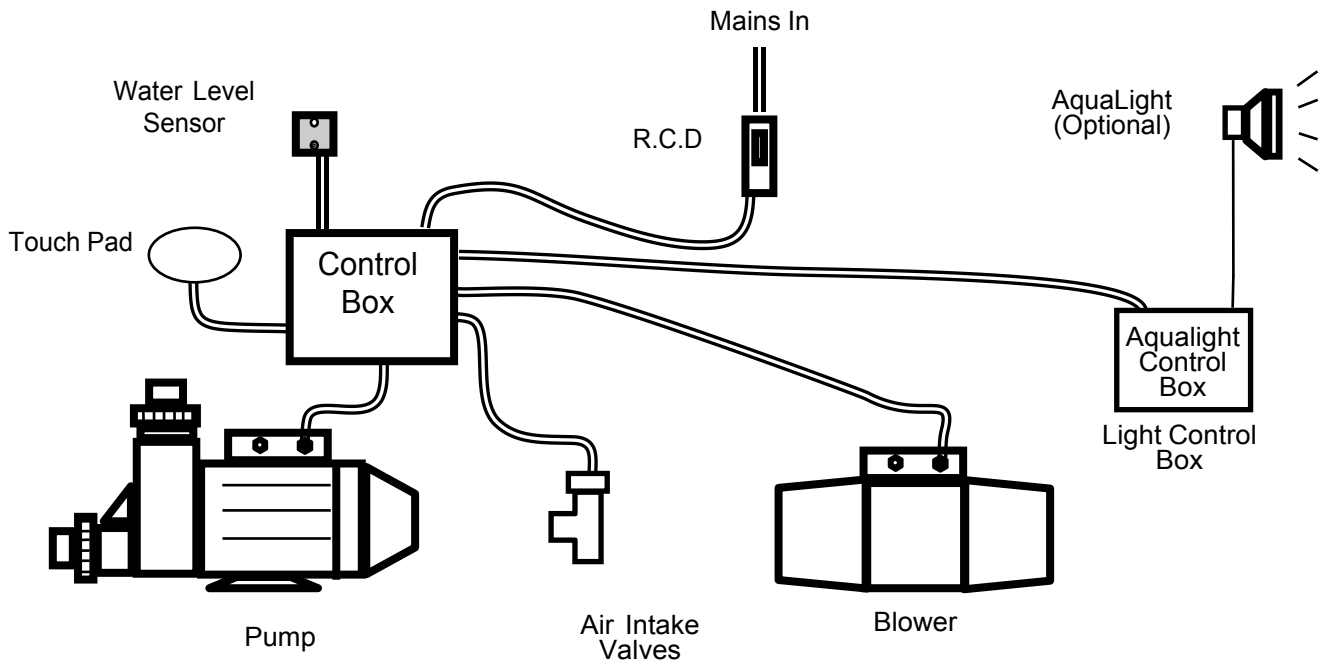


### Vogue Spa System

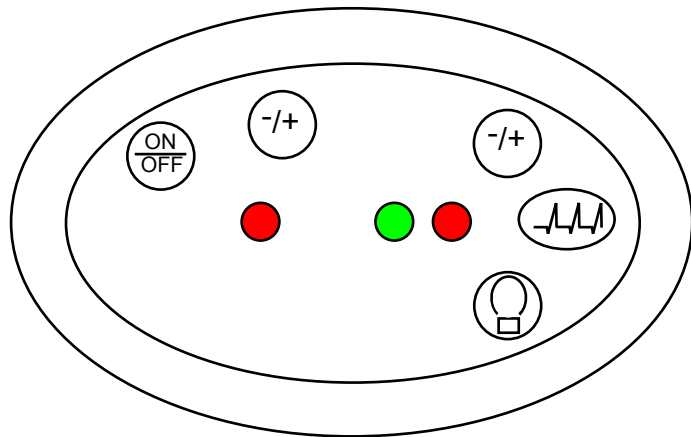


If connections are not pre-made  
see under lid of control box for  
internal PCB wiring

### Vogue Combination Whirlpool and Spa System



**Note. When a combination system is supplied two independent systems are fitted to one bath. Each will require a power supply.**



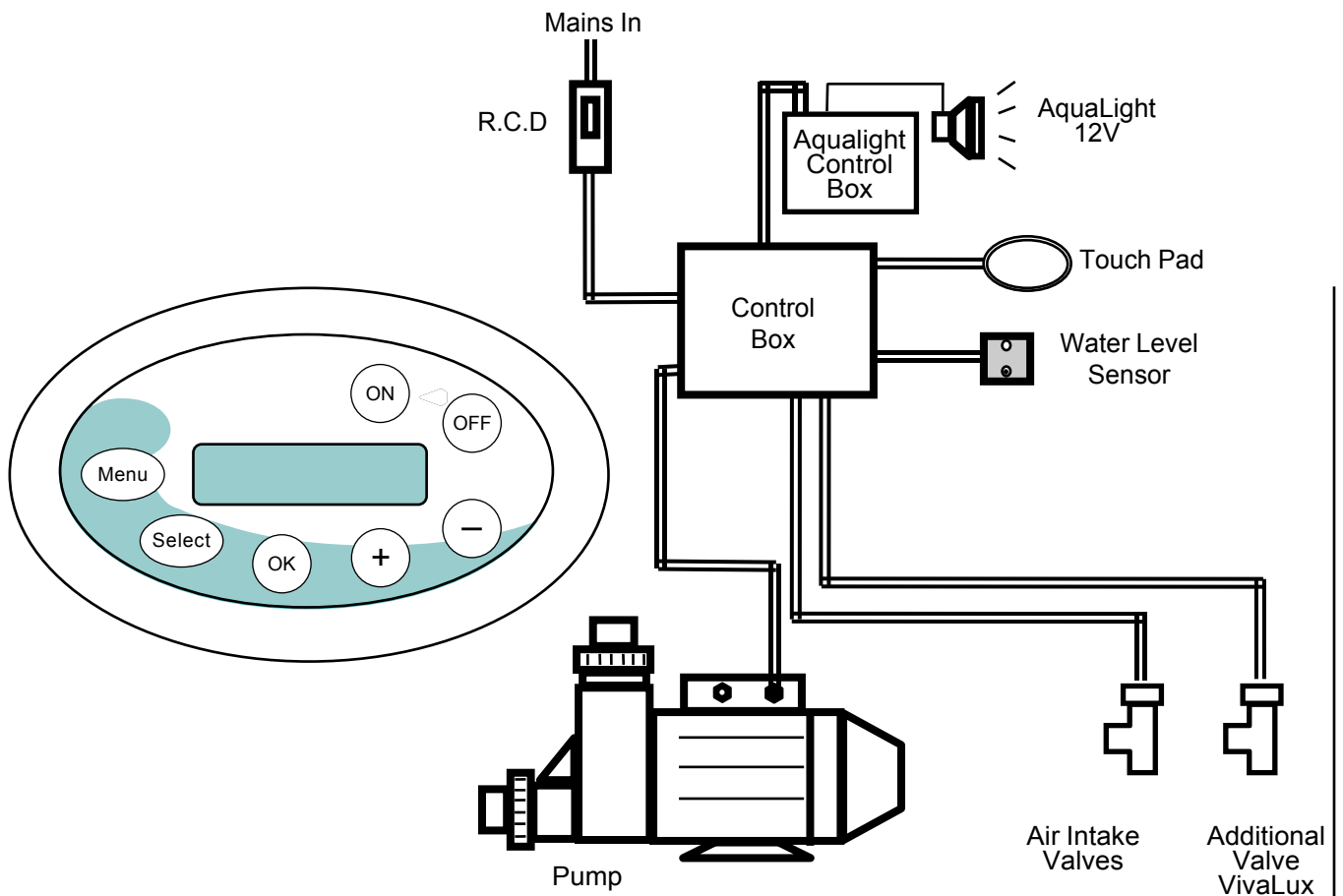


# Electricians Instructions

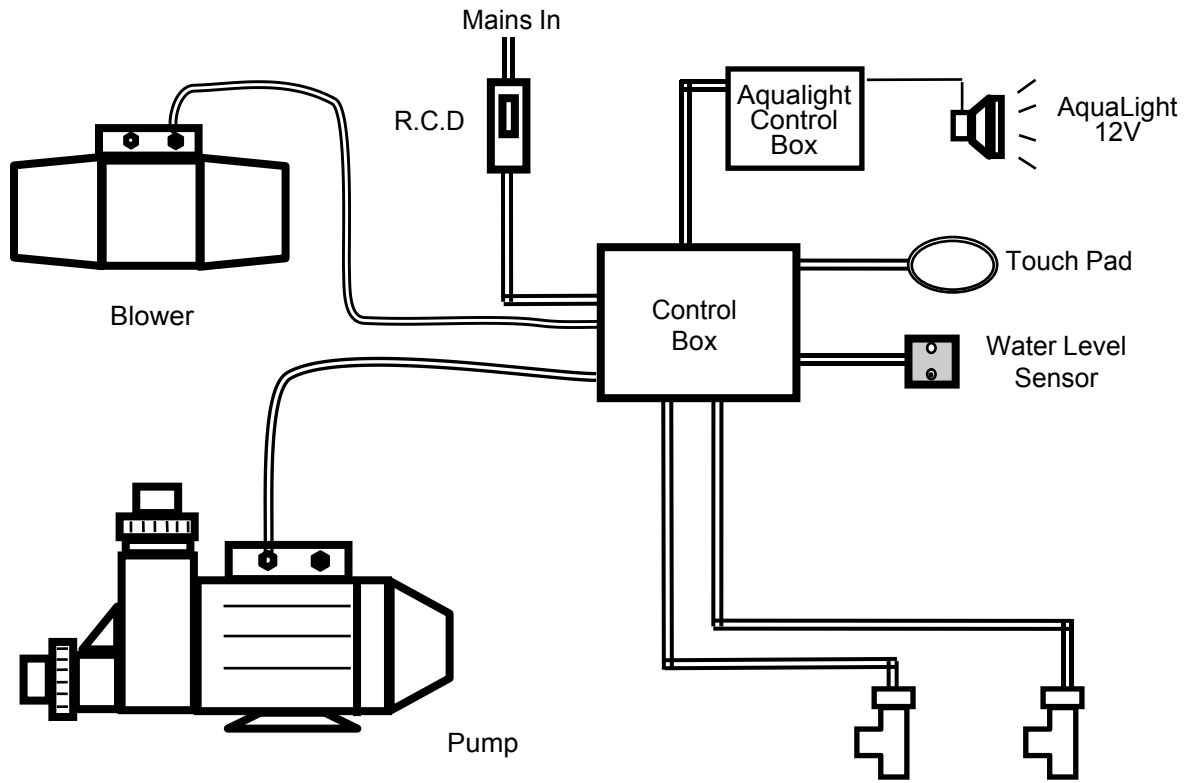
## Electronic Control, Viva whirlpool systems, and Viva spa.

Note. Also see supply requirements ALL systems.

### Viva Whirlpool System

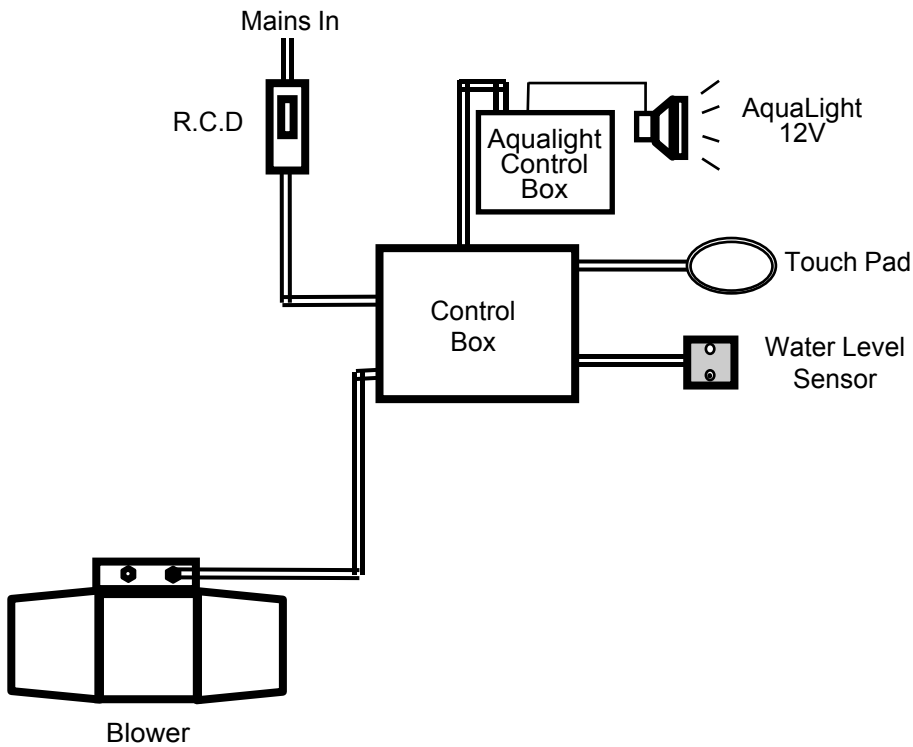


### Viva Combi Whirlpool and Spa System



Valves

### Viva Spa System



# Inline Heater Installation Instructions (optional)

## Thermostat

The heater in the whirlpool is a self contained unit. The 'Smart Thermostat' automatically turns on and off to maintain the water temperature at 39°- 40° Centigrade. If the water is too warm simply add cold water.

## High Limit

The heater includes an 'Intelligent High-Limit' The unit will not be tripped out by hot tap water. The heater will only trip off if the thermostat fails.

To reset, press the red button.

If the high-limit trips frequently, call a service engineer.

## Indicator Light

The Indicator light will turn on when the heater is operating.

## Vacuum Switch

The heater is equipped with an integral vacuum switch. The pump must be running with water flowing to allow the heater to turn on.

## Electrical

1500 W

6.8 amp

220V

This product must be installed via an RCD (25a 30ma 30ms) through a 13 amp fused spur.



Colour Code           (Black - LIVE)  
                              (White - NEUTRAL)  
                              (Green - EARTH)

## Inline Heater User Instructions

The water in your bath should not exceed 40°C. Lower water temperatures are recommended for extended use (exceeding 10-15 minutes). Lower temperatures are recommended for young children.

Pregnant or possibly pregnant women should consult a Doctor before using a whirlpool and temperatures should not exceed 38°C.

Do not use the whirlpool after drinking alcohol and if taking medication consult a Doctor before using a whirlpool.

NOTE In hard water areas a water softener must be used with a inline heater.

Test RCD at least once a month to ensure that it is working correctly.

# General Instructions

## Test Running

Test the bath before final installation. When the bath is filled with water for the first time on site it is necessary to check the whirlpool pipework for any leaks accidentally caused by transit, etc. As the bath is being filled check the suction return pipe, pump unions and pipework in general. If all the joints are water tight start the whirlpool system. (See user instructions for particular model) Check the pump outlet union and pipework. Run the whirlpool for a few minutes to circulate the water.

Stop the whirlpool and allow the bath to stand twenty to thirty minutes and check for leaks. If the standing test is satisfactory then run the whirlpool for twenty to thirty minutes checking for leaks. If a union joint should leak refer to that appropriate section.

Note: Some whirlpool systems have a built in timer that will stop the whirlpool after twenty minutes continuous running.

## Trouble Shooting

### **Whirlpool Will Not Start.**

A) Insufficient water in the bath. If the bath is fitted with a Pump Immobiliser water must reach the correct bathing depth before the whirlpool will run.

B) Check the Level Sensor to see that when the bath is full the light is on, and when the bath is empty the light is off. Reset the level sensor if required.

C) Check that there is power to the bath and the R.C.D. is on.

D) Check the capillary pipe from the switch on the bath is connected to the switch on the pump or control box.

Check Supply, by connecting bath to an extension using a proven 13A socket supply.

### **Whirlpool runs and stops after a short time.**

A) Check Level Sensor (see B above)

## Pump Immobiliser

This device prevents the whirlpool system from running until the water in the bath has reached the correct bathing depth. If there is no water in the bath the whirlpool pump cannot be accidentally started and so prevents damage to the pump.

### **Water Level Sensor.**

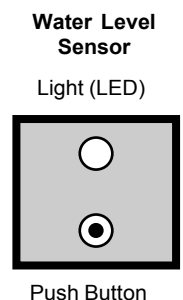
A water level sensor is secured on the bath side with silicone sealer. It is positioned at the correct bathing height with the bottom of the sensor level with the top of the whirlpool jet. When the bath fills with water the red light on the sensor will come on, and when the bath empties the light will go out. This is usually **set in the factory and should not need any adjustment** however, if the light does not come on when the bath is filled then the sensor may need setting.

### Manual Setting Water Level Sensor

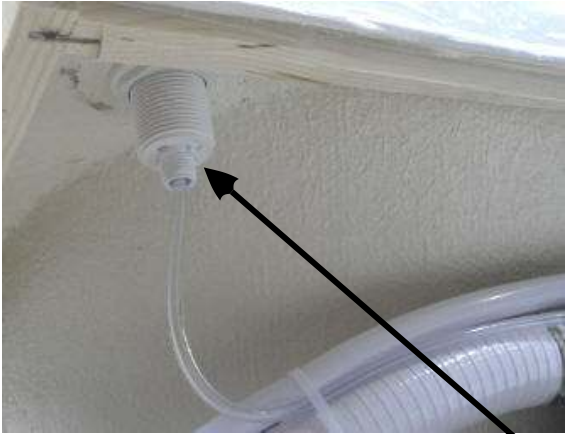
1. Ensure power is going to the bath.
2. With the bath empty and dry press and hold the button on the water level sensor until the light flashes then release the button.
3. Fill the bath until the water is above the sensor.
4. Press and hold the button on the sensor until the light stops flashing and stays on, release the button.

The sensor is now set and should require no further adjustment. Check to see the light comes on when the bath is full and goes out when the bath is empty.

Note: The level sensor has a built in delay to allow for the movement of water. The water level may drop passed the sensor before the sensor light goes out.



Trouble Shooting		
Fault	Check	Action
Whirlpool will not run	Check Capillary pipe is attached to on/off button and pump	Press button and listen for a 'click'
Whirlpool will not run	Check supply Connect to a 13a plug and test using an extension.	If bath works there is fault in the supply.



Check Capillary pipe is attached to on/off button and pump

CE

13  
EN 12764-A1